



### Character

- ◇ 60A contact switching capability
- ◇ Only impulse excitation needed, both for single and double coil.
- ◇ Low power consumption, small in size
- ◇ Custom assemblies available with flexible wire and/or copper straps, and/or with integrated shunt
- ◇ 4KV dielectric strength between coil and contacts
- ◇ RoHS compliant
- ◇ Outline dimensions: (100 x 50 x 21) mm

### Contact Data

Contact Form	3B	
Contact Material	AgSnO <sub>2</sub>	
Contact Resistance	Max.1.5mΩ (1A 6VDC)	
Rated Load(Resistive)	60A 250VAC	
Max. Switching Voltage	250VAC	
Max. Switching Current	60A	
Max. Switching Power	15000VA	
Service Life	Mechanical Endurance	5×10 <sup>7</sup> OPS
	Electrical Endurance	6×10 <sup>7</sup> OPS
Max. Short-circuit Current	1500A/10ms	

### Characteristics

Operate Time	40ms Max.	
Release Time	40ms Max.	
Insulation Resistance (500VDC)	1000MΩ Min.	
Dielectric Strength (50/60hz, 1min)	Contact to Coil	4000VAC
	Across Open Contacts	2000VAC
	Contact to contact	4000VAC
Surge Voltage (1.2/50 μ s)	Contact to Coil	6KVAC
Creepage Distance		
Unit Weight	About 150g	

### Environmental Data

Ambient Temperature	-40°C ~ +70°C	Relative Humidity	5%-85% RH
Vibration	10-55Hz 1.5mm	Shock	98m/s <sup>2</sup>

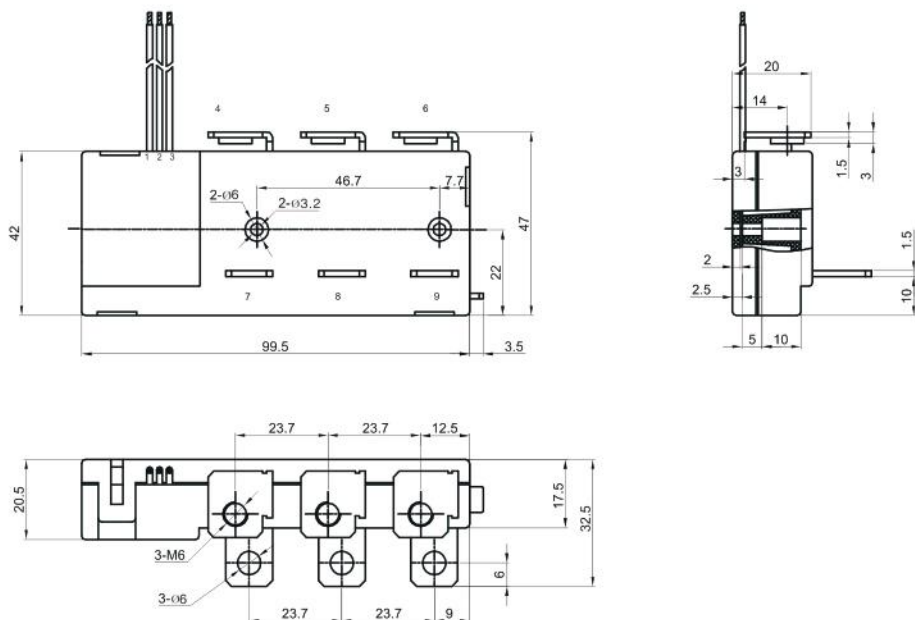
### Coil Data (20°C)

Coil Voltage (VDC)	Coil Resistance( $\Omega$ ) $\pm 10\%$		Coil Power(w)		Operating Voltage (VDC)	Releasing Voltage (VDC)	Allowing voltage (VDC)	Pulse Duration (ms)
	Single	Double	Single	Double				
<input type="checkbox"/> 9	23.1	11.6/11.6			$\leq 6.3$	$\leq 6.3$	13.5	
<input type="checkbox"/> 12	41.1	20.6/20.6	3.5	7.0	$\leq 8.4$	$\leq 8.4$	18	$\geq 100$
<input type="checkbox"/> 24	164.6	82.3/82.3			$\leq 16.8$	$\leq 16.8$	36	
<input type="checkbox"/> 48	658.3	329.1/329.1			$\leq 33.6$	$\leq 33.6$	72	

### Ordering information

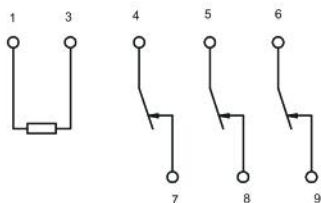
GRT508D	60A	3B	12VDC	S	XX	
						Terminal type: Custom design
						Coil type: S: single coil D: double coil
						Coil voltage: 6, 9, 12, 24, 48V
						Contact form: 3B: three sets of contacts remain closed
						Contact current: 60A
						Relay Series: GRT508D

### Dimensional Drawings/Wiring Diagrams(unit:mm)



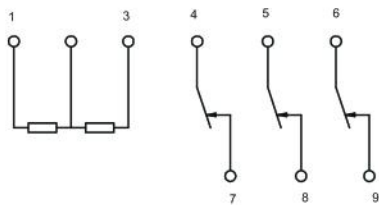
Note: No tolerance marked. If dimension  $\leq 1$ mm, the tolerance is  $\pm 0.2$ mm; if dimension 1-5mm, the tolerance is  $\pm 0.3$ mm; if dimension  $\geq 5$ mm, the tolerance is  $\pm 0.5$ mm.

single coil



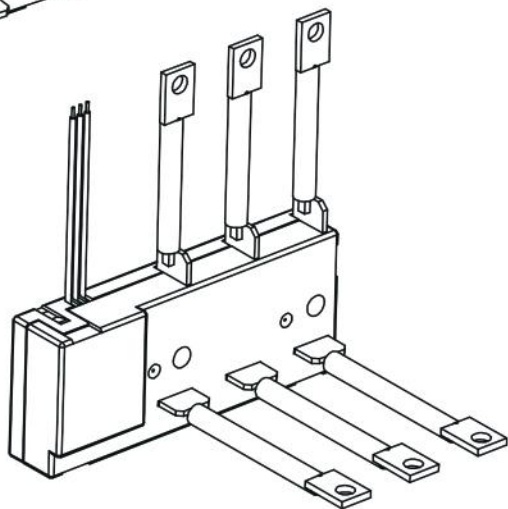
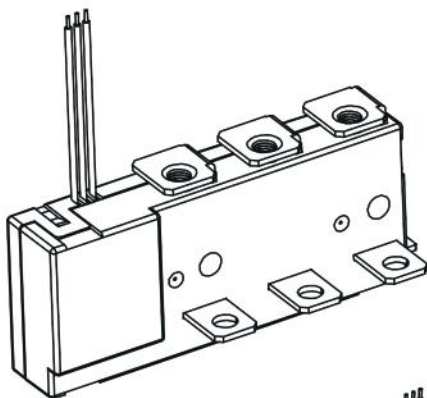
1 (+) 3 (-) 4-7, 5-8, 6-9 Release(Open)  
3 (+) 1 (-) 4-7, 5-8, 6-9 Operate(Close)

Double coil



1 (+) 2 (-) 4-7, 5-8, 6-9 Release(Open)  
3 (+) 2 (-) 4-7, 5-8, 6-9 Operate(Close)

### Typical Terminal Type



### Typical application

- Smart Meter